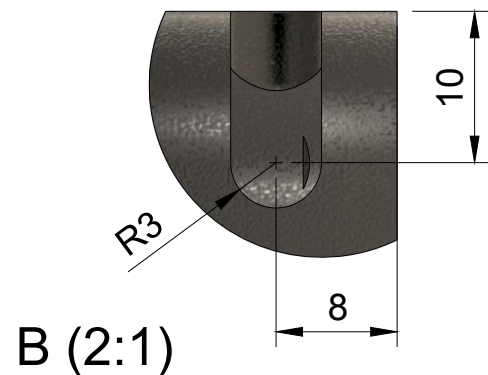


A

The lever in upright position is at an angle. Therefore the position is offset to 1.43 mm measured from the center of the Backside

A



Dept.	Technical reference	Created by TRE	20.03.18	Approved by
Mild steel 57 x 30 x 24 mm		Document type	Document status	
		Title Tripin threading tool	DWG No. Base	
Rev. 9	Date of issue 20.03.18	Sheet 1/3		